



MATICA MB D.O.O.

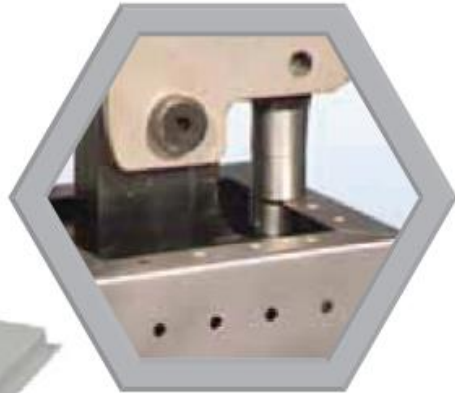
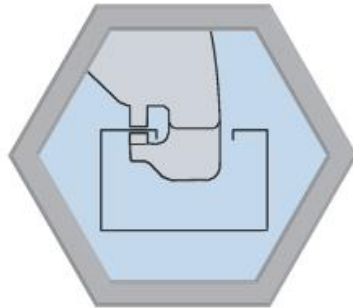
OPTIONAL ACCESSORIES

ACCESSORY NO.1 Allows for easy installation of sheet metal fasteners into 'C' shape applications.

8500



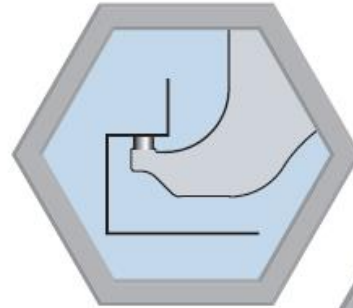
8502



8501/7



ACCESSORY NO.2. Complete with two changeable frames to provide greater flexibility when installing sheet metal fasteners into box shapes or bespoke pieces of sheet metal.



8503



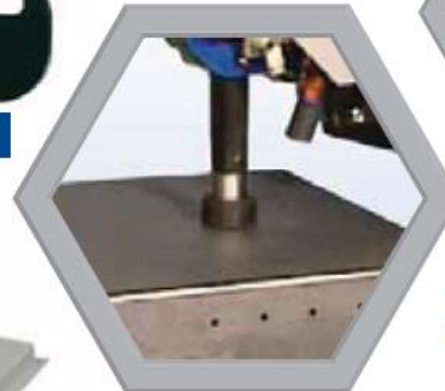
8500



8503

8501/7

In order to utilize Accessory No.2, it is mandatory to install the press on its stand.



Additional frames can also be produced as per your drawings. Please contact us for further details.

8500



8501/7

TECHNICAL SPECIFICATION

TECHNICAL DATA

Drive: Compressed air 6-10 bar.
 Power: 220v / 100w (optional 110v / 100w single phase)
 Force range: 280kg - 6.000kg (600 lbs to 14.000 lbs)
 Maximum sheet thickness: 3 mm - (0.12")

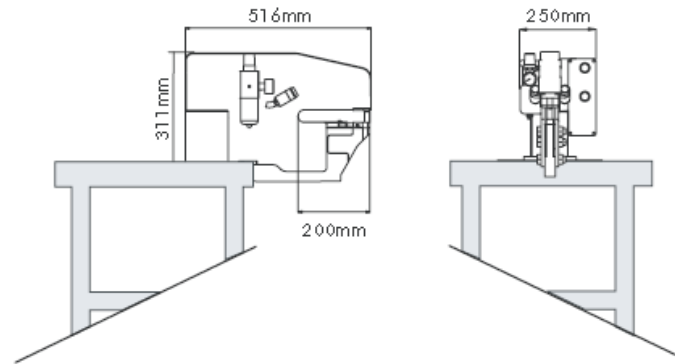
DIMENSIONS WITHOUT BASE

Weight: 50 kg - (110 lbs)
 Height: 311 mm - (12,24")
 Depth: 516 mm - (20,31")
 250 mm - (9,84")

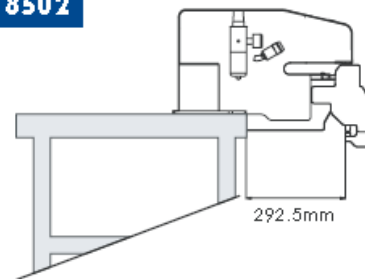
DIMENSIONS WITH BASE

Weight: 93 Kg - (204,6 lbs)
 Height: 1295 mm - (50,98")
 Depth: 730 mm - (28,74")
 Width: 380 mm - (14,96")

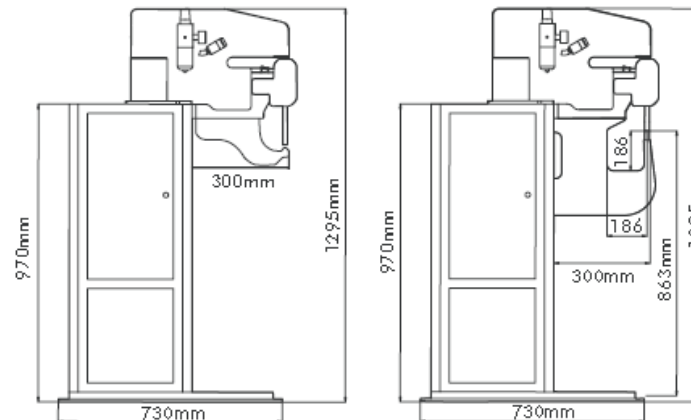
Prima Inserter 8500



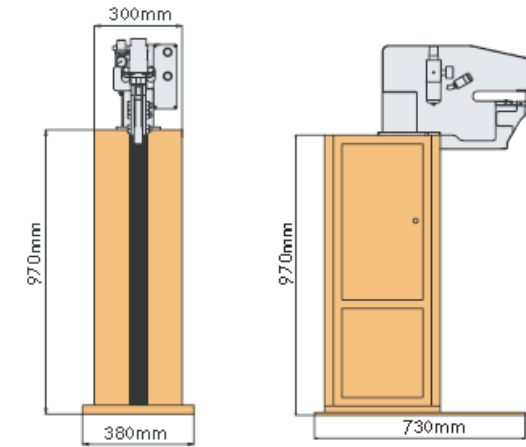
Accessory No.1 8502



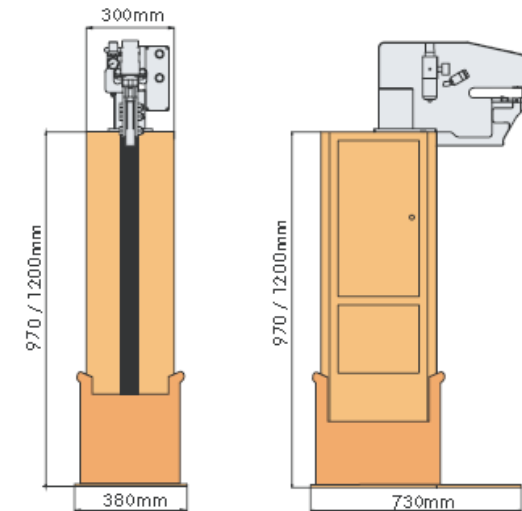
Accessory No.2 8503



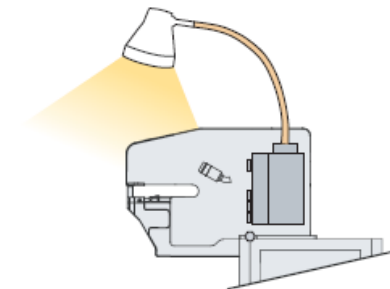
Fixed Stand 8501



Raisable Stand 8507



Lamp



In order to utilize Accessory No.2, it is mandatory to install the press on its stand.